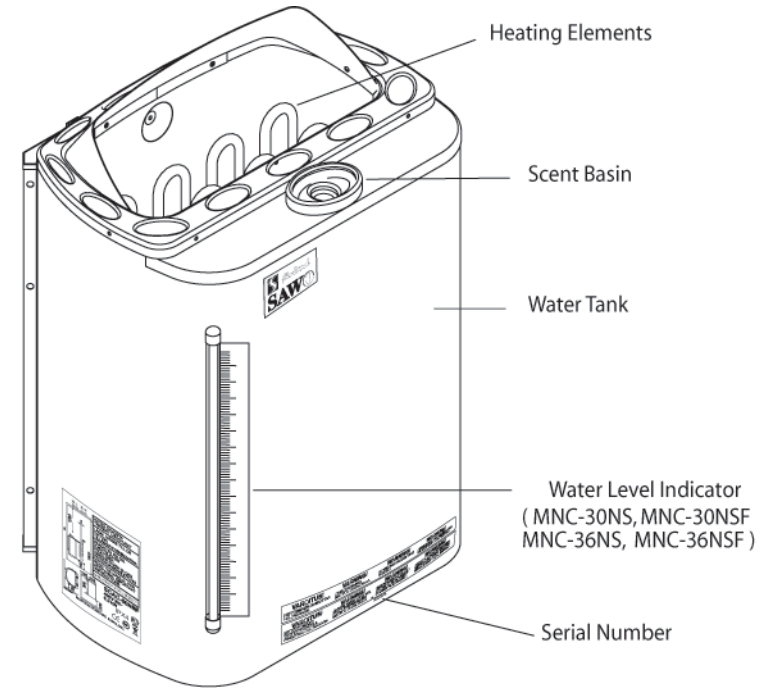


# Finland SAWO MANUAL

MNC-30NS	MNC-36NS
MNC-30NSB	MNC-36NSB
MNC-30NSF	MNC-36NSF

*Congratulations on your purchase of a SAWO heater/steam generator.  
Please read the manual carefully before using the product.  
The Safety Temperature Sensor has to be mounted above the heater.  
Check the manual of the external control unit for further instructions.*



www.sawo.com  
info@sawo.com

Subject to change without notice

MNC\_ML\_S(EnV11206)

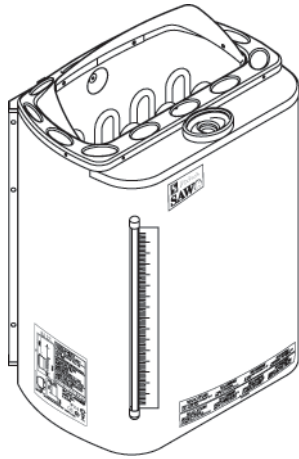
**ELECTRIC SAUNA  
HEATER/STEAM  
GENERATOR**

**ENGLISH**

# 1. Introduction of the Combi Heater

## 1.1. Mini Combi (MNC)

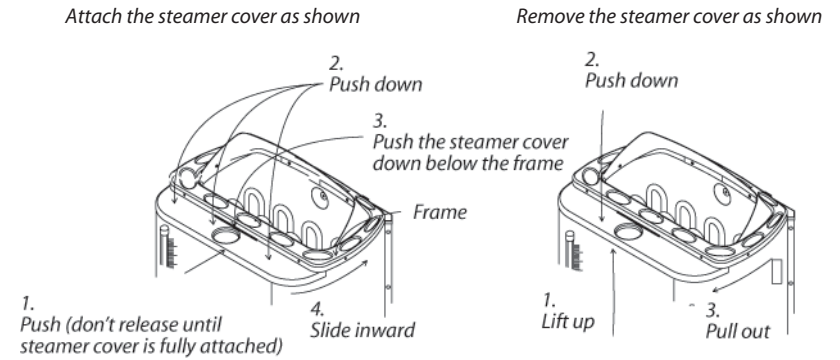
- A combination of a heater and steamer with Scent Basin and probably the most reliable steamer due to its patented Water Level Detection System.
- Allows users to choose from normal sauna to steam bathing.
- Its metal parts and Water Tank are made of stainless steel and the unique design of the heating elements makes the Water Tank easy to keep clean.
- Operated with an external control unit.
- Its optional fiber-coated casing makes it safer and cool to touch.
- Available in 3.0kW and 3.6kW Standard model and Basic model.



## 2.1.2. Steamer Cover

- Follow the instructions in attaching or detaching the Steamer Cover given in figure 2.

Fig.2 Steam Cover



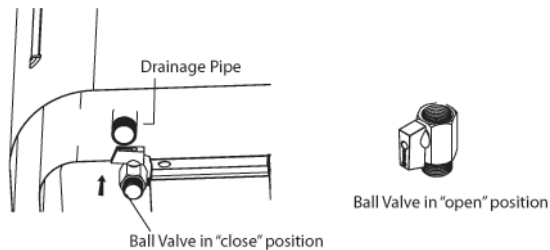
# 2. Assembly and Installation Instructions

## 2.1. Assembly

### 2.1.1. Ball Valve

- Before installing the Ball Valve, ensure that the drainage pipe's thread is wrapped with a teflon tape.
- When attaching and detaching the Ball Valve, make sure that the valve's handle is in "close" position. See Figure 1.

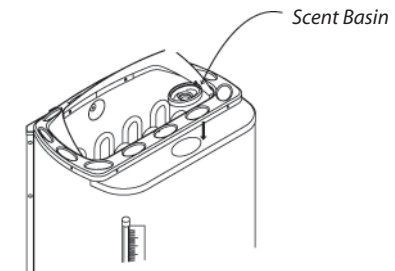
Fig.1 Ball Valve



## 2.1.3. Scent Basin

- There is a designated hole for the Scent Basin on the Steamer Cover. The Scent Basin is to be fitted on the hole as per Figure 3.
- The Scent Basin should be handled with care as it might break if dropped on the floor or on any hard surface.

Fig.3 Scent Basin

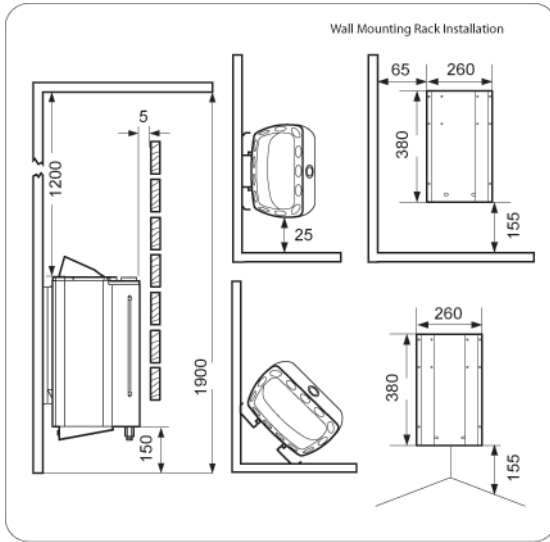


## 2.2. Installation

### 2.2.1. Mounting the Combi Heater

- It is recommended that the Combi Heater is mounted on the wall nearest to the door.
- A mounting rack is provided for attachment of the heater.
- For safety and convenience, follow the minimum safety distances as provided in Figure 4.

Fig.4 Minimum Safety Distances/Wall Mounting Rack Installation Guide



- Do not install the heater on a niche in the wall or let it stand on the floor.
- Do not install more than one heater, unless, you follow the special instructions for twin-heater installations.
- Make sure to build a strong foundation for the mounting rack (e.g. cross struts in the sauna paneling), or reinforce the wall with a thick board to prevent the heater from collapsing. Refer to Figure 4 (Minimum Safety Distances/Wall Mounting Rack Installation Guide) on how to attach the mounting rack to the wall.
- Secure the mounting rack to the wall with the screws that are provided.
- To mount the heater to the rack, fit the nuts on its back to the slots provided on both sides of the mounting rack.
- Make sure to lock the side screws to prevent the heater from being accidentally moved.

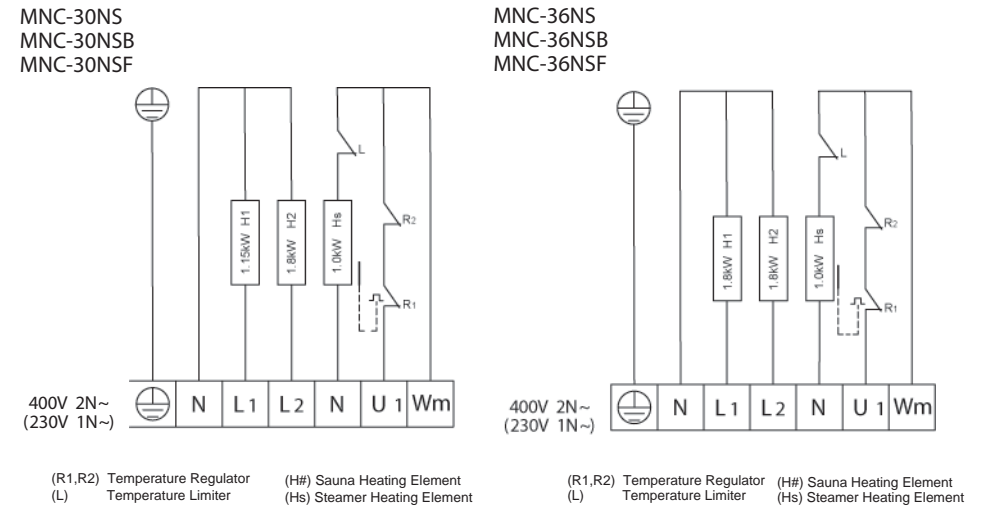
### 2.2.2. Electrical Wiring and Installation

- A certified electrician must do the installation of the Combi Heater to ensure safety and reliability of the electrical connections.
- Installation should be done in accordance to the applicable local regulations to ensure safety and reliability of electrical connections. Wrong electrical connection can cause electric shock or fire.
- The connection cable must be of rubber cable type, HO7RN-F, or its equivalent.

NOTE: Using a PVC-insulated wire as connection cable for the Combi Heater is not allowed because this material easily becomes brittle when subjected to heat.

- For further assistance, refer to the electrical diagram in Figure 5.

Fig.5 Electrical Diagram



### 2.2.3. Installation of External Control Unit and Sensor

- Refer to the external Control Unit's Manual for its installation and connection to the Combi Heater as well as the installation of the Temperature Sensors.

### 2.2.4. Sensor Location

- The Safety Temperature Sensor must be installed directly above the heater, 15cm below the ceiling. Refer to Figure 6.

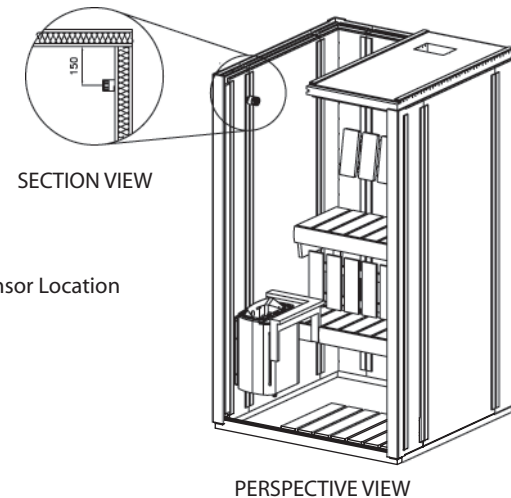
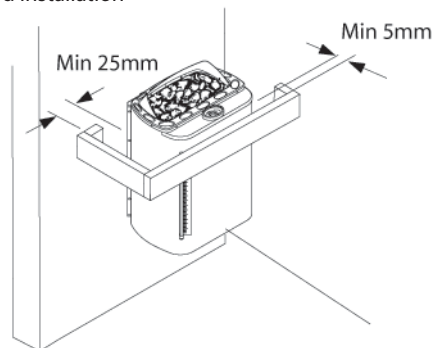


Fig. 6 Safety Sensor Location

### 2.2.5. Installation of Combi Heater Safety Guard

- The Combi Heater naturally gets very hot during operation. To avoid the risk of accidental contact with it, it is necessary to affix a Safety Heater Guard. Refer to Figure 7 on the distance requirements to be observed in installing the Safety Heater Guard.

Fig. 7 Heater Guard Installation



### 2.2.6. Effect of Moisture During Transport and Storage

- When doing a final inspection of the electrical installation of the Combi Heater, a “leakage” may be detected when measuring the insulation resistance. This is because the insulating material of the heating resistors has absorbed moisture from the air (during transport and storage). The moisture will eventually be removed after several uses of the heater.

## 3. Operating Instructions

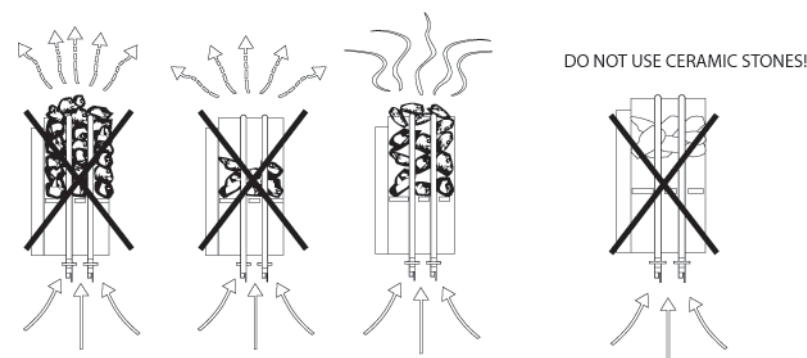
### 3.1. How to Load the Stones?

- Stones are loaded into the Combi Heater so that enough energy will be stored to efficiently vaporize the water thrown on them and maintain the correct humidity inside the Sauna Room.
- These stones must be replaced at least once a year or every 500 hours, whichever occurs first.
- In removing the stones, stone crumbles (small pieces of stones that has broken off from the larger ones due to frequent usage) must be removed as well.
- Refer to the Technical Data in Figure 10 for the required amount of stones.

NOTE: Never use the Combi Heater without the stones as it can cause fire. Use only stones recommended by SAWO. The use of any other kind of stones may damage the heating elements and will void your warranty. Also, never use ceramic stones or any other artificial stones.

- Before loading the stones into the Combi Heater, rinse them first to remove stains or dust that may cause an unpleasant smell to emit when using the unit for the first time.
- Care must be taken in loading the stones and make sure that they will not block the air circulation through the heater. Refer to Figure 8 – How to Load the Stones.

Fig. 8 How to Load the Stones



- Do not force larger stones in place if they do not fit in between the heating elements. They should be removed.
- Small pieces of stone (35mm in diameter) must not be put inside the heater as they can block the air circulation, which can cause overheating resulting to damage of the heating elements.

NOTE: A damaged heating element due to overheating caused by using the wrong kind of stones or incorrect loading of stones will not be covered by the factory warranty.

### 3.2. Using the Combi Heater

- Before turning on the Combi Heater, make sure that nothing else but stones are placed inside or near the unit. For more safety instructions, please refer to Part 4 – Precautions section of this manual. Bad odor may be detected when using the Combi Heater for the first time. To remove the smell, just ventilate the Sauna Room.
- It is important that you choose the correct power rating of the Combi Heater that will correspond to your Sauna Room size. Part 6 (Technical Data) of this manual will help you to make the right choice.  
A properly selected Combi Heater allows to reach the bathing temperature within one hour.
- If the heater power is too big for the Sauna Room, the room will heat up faster than the stones and will cause the water thrown on the stones to go through the stone compartment too quickly. On the other hand, if the heater power is too little for the Sauna Room, the water thrown on the stones will not increase the temperature; instead, it will only cool the stones thus decreasing the temperature inside the Sauna Room.
- Your Sauna Room must have suitable insulation and wall materials. Refer to Part 8 (The Sauna Room) of this manual for guidance. The bathing temperature should preferably be within the range of 65 to 80 degrees Celsius, while the Steamer is switched off.

### 3.3. Producing the Steam

- Throwing water on the stones increases the moisture level inside the Sauna Room and the heater increases the temperature.
- The amount of water thrown on the stones determines the moisture content of the air.
- Three ladles of water at a time are enough to enjoy the Sauna. Throwing too much water on the stones may cause scalding water to splash on the bathers, as the water may not evaporate immediately.
- Make sure there is no one sitting near or next to the heater before throwing water on the stones.

### 3.3.1. Kind of Water to Use

- Use only clean household tap water to throw on the stones.
- Do not use hard, ferrous or chlorinated water.
- Hard water causes white deposits on the stones and on the heater surface, and it also decreases the heat accumulating property of the stones.
- On the other hand, if the water you are using is ferrous, a rusty layer will cover the heating elements and other parts of the heater and will lead to corrosion.
- The use of seawater, chlorinated water and humus water can damage your Combi Heater and its parts as well.

### 3.4. Using the Steamer

- The Mini Combi Heater has a 2.5-liter Water Tank. When filled with 2.5-liter water, steam can be produced for approximately 1 hour if set to max.
- To ensure ideal humidity, the Sauna temperature should be between 40 and 50 degrees Celsius, and the Steamer should be left on for 20 minutes to pre-heat the Sauna and produce sufficient amount of steam before bathing.

#### 3.4.1. Filling the Water Compartment

- Fill the Tank with water by pouring it through the hole designated for the Scent Basin.
- The amount of water poured should be less than 50mm (minimum) from the top level of the tank that it will not spill on the floor during boiling (MNC-30NSB, MNC-36NSB).
- The water should not exceed the maximum mark or 2.5-liter marking on the Water Level Indicator; otherwise it will spill on the floor.
- If "FILL" is displayed on the external control unit, refill the Water Tank with cold household tap water. Be careful in removing the Scent Basin during bathing, as it will be hot to touch. Do not attempt to remove the Steamer Cover, as it will be extremely hot to touch.
- Always make sure that there is a sufficient amount of water in the Water Tank before using the Steamer.

#### 3.4.2. Low Water Level

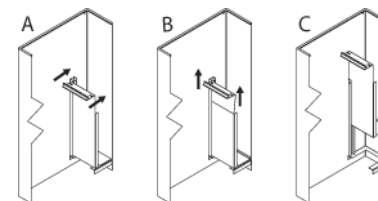
- The Combi Heater is equipped with a Low Water Level Detection System, which prompts the user to refill water before the Water Tank runs dry.
- Once the water reaches the REFILL mark, the Low Water Level Detection System will be activated.
- The Low Water Detection System will automatically turn off the Steamer when only 0.8-liter water is left in the tank and "FILL" is displayed on the external Control Unit. A warning sound (buzzer-like) will also be emitted to catch the user's attention. Once refilled, the Combi Heater will automatically turn on again.
- Be careful in refilling water, as the Water Tank will be very hot to touch.
- If, despite the "FILL" message and warning buzzer, water has not been refilled, the Steamer will turn back on. The "FILL" message will be repeatedly displayed until water is refilled or the Steamer is turned off.
- To preserve the heating plate and for a longer life span of the Combi Heater, avoid letting the steamer run dry.

### 3.5. Draining and Cleaning the Water Tank

- The Water Tank should be emptied and cleaned after every use to ensure that always fresh and clean steam is produced.
- Wait for the unit to cool down before draining the water.
- To drain the water, turn the Ball Valve handle at the bottom of the Water Tank counterclockwise until water flows out of the tank. Provide a container to collect the water.
- Once the water is completely drained, remove the Steamer Cover and clean the tank inside with a household brush to remove impurities that have accumulated in the tank, and then rinse with water.
- Do not use a steel brush as it might damage the tank wall or the bottom heating plate.

- Do not clean the water tank inside with a cloth to avoid hand injuries that may be caused by the tank's edges.
- To clean the tank's separation plate, lift it up and clean it with water and a household brush. See Figure 9.

Fig.9 Tank Separation Plate



- Finally, flush the tank with water and close the Ball Valve by turning its handle clockwise.
- Before using the Steamer again, do not forget to refill the Water Tank.
- Do not let the Water Tank run dry as an alternative method of draining the water; This will shorten the life span of the Steamer.
- It will not be helped that impurities from the water (e.g. lime) will accumulate on the walls of the Water Tank. To decalcify, SAWO recommends decalcifying agents intended for kitchenwares such as for coffeemakers and water kettles. These agents should be applied as instructed by their manufacturer.
- Clean the outside of the Water Tank with a damp cloth. While doing this, make sure that the Combi Heater is turned off.

### 3.6. Using Scents

- It is possible to use liquid scents with the Combi Heater. You can pour them on the Scent Basin.
- Avoid pouring scents while the Steamer is on as it can cause serious burns.
- Brush the Scent Basin and rinse with water after using scents.

## 4. Precautions

- The sea or a humid climate can cause corrosion on the metal surfaces of the Combi Heater.
- Only a qualified electrician is allowed to do wirings and repairs of the Combi Heater.
- Neither use the Combi Heater as a grill nor boil any food or liquids in its water tank.
- Do not cover the heater as it can cause fire.
- Do not put wood of any kind on the heater.
- Do not use the heater as clothes drier as it can cause fire.
- Never sit on the heater to avoid serious burns.
- Never use the heater without the stones as it can cause fire.
- Do not use chlorinated water (that from a swimming pool or whirlpool [Jacuzzi]) or seawater. It can damage the heater.
- Do not throw too much water on the stones. One to three ladles of water at a time are enough to enjoy the sauna.
- Do not fill the Water Tank to the brim to avoid overflowing when the water boils.
- Always close the drainage valve after draining the water, or while installing or removing the valve.
- Always check if there is water in the Water Tank before turning the Steamer on.
- Never turn the steamer on if the Water Tank is empty.
- Always provide a container for the drained water.

## 5. Troubleshooting

If the Steamer does not work, check the following:

- Is the Combi Heater connected to the power supply?
- Is the Steamer turned on?
- Is there sufficient water in the tank?
- Are the instructions given in the manual of the external control unit regarding temperature setting of the heater followed?
- Is "FILL" (for refilling the water tank) displayed on the external control unit? Once water is refilled, it might take sometime for the steamer to be turned back on.

If the Sauna Heater does not work, check the following:

- Has the heater been switched to presetting time and not to operating time?
- Check the source of electricity. Check if the heater has been switched on.
- Check the heater's fuses in the household's main fuse box.
- If the heater has overheated, check if the overheat fuse has been activated.
- Consult a qualified technician/electrician if troubleshooting was not successful.

## 6. Technical Data

The table in Figure 10 gives guidance on various technical matters

Fig.10 Technical Data

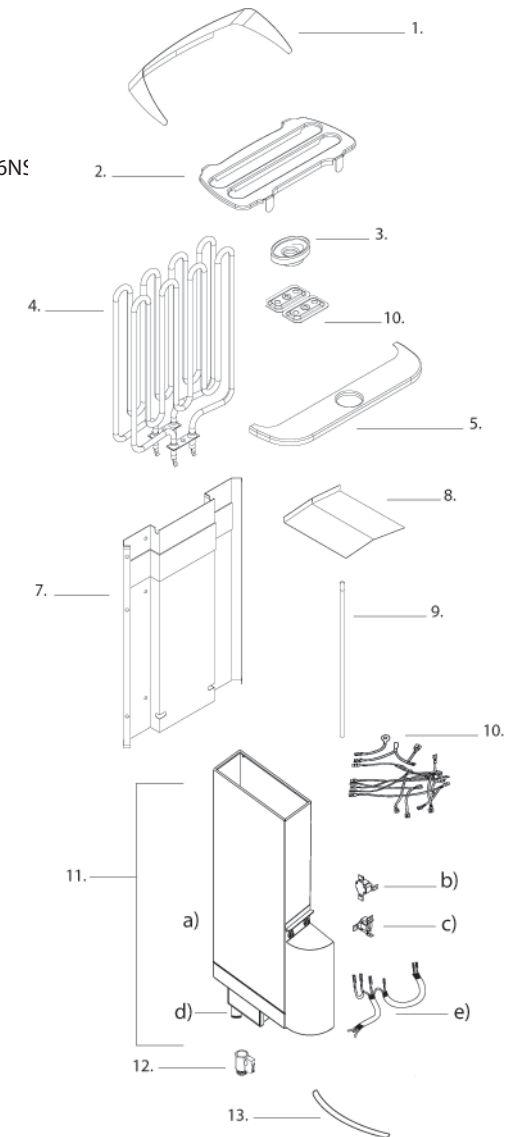
HEATER MODEL	kW	HEATING ELEMENT		SAUNA ROOM		SUPPLY VOLTAGE	SIZE OF HEATER			SIZE OF WIRE	STONES (kg)	CONTROL
		kW	TYPE NUMBER	MIN	MAX		WIDTH	DEPTH	HEIGHT			
MNC-30NS MNC-30NSB MNC-30NSF	3,0	1 x 1,15 1 x 1,8 1 x 1,0	MN115 MN180 COM100	2	4	230V 1N~/ 400V 2N~	329	238	500	3 x 2,5/ 4 x 1,5	8 - 10,5	separate
MNC-36NS MNC-36NSB MNC-36NSF	3,6	2 x 1,8 1 x 1,0	MN180 COM100	3	6	230V 1N~/ 400V 2N~	329	238	500	3 x 2,5/ 4 x 1,5	8 - 10,5	separate

## 7. Spare Parts

### MINI COMBI

- 1.Reflector
- 2.Rock Container
- 3.Scent Basin
- 4.Heating Element
- 5.Heating Element Holder with O-Ring
- 6.Mini Steamer Cover
- 7.Wall Mounting Sheet
- 8.Middle Reflection Sheet
- 9.Level Indicator (not MNC-30NSB, MNC-36NS)
- 10.Wiring Set
- 11.Steamer Set Mini Combi
  - a)Tank with heating Plate (1kW)
  - b)Temperature Limiter
  - c)Temperature Regulator
  - d)Drainage valve
  - e)Wiring set
- 12.Ball Valve
- 13.Level Indicator Hose (not MNC-30NSB, MNC-36NSB)

Fig. 11 Exploded view of all spare parts





## 8. The Sauna Room

### 8.1. How to Use the Sauna

Taking a sauna bath is a simple affair without many rules. It's a matter of getting inside the Sauna and enjoying the sensation. There are just a few established procedures that are wise to follow:

- Leave your clothes in the dressing room. Make sure you have a clean set of clothes to change into after taking a sauna.
- Always take a shower before entering the Sauna.
- Always use a towel to sit on or lie on inside the Sauna.
- While in a Sauna Heater operation mode, the humidity of the Sauna Room can be increased by throwing water on the stones. One to three ladles of water at a time are enough for you to enjoy the Sauna.
- The recommended temperature of a Sauna is 70 to 90 degrees Celsius, at most 100 degrees Celsius.
- In Steamer mode, the recommended temperature of a Sauna is 40 to 50 degrees Celsius.
- When the heat begins to get uncomfortable, leave the Sauna and cool off by taking another shower, or taking a quick dip in the pool or simply sitting outside the Sauna.
- Enjoy a drink if you are feeling thirsty, however, avoid alcoholic drinks.
- You can repeat the hot and cold cycle as often as you want. Two rounds are enough for average people.
- End your sauna with a thorough wash.
- Thoroughly cool off before putting on clean clothes.
- Top your sauna with a refreshing drink or by simply taking a rest.

### 8.2. Temperature of the Sauna Room

- The temperature and humidity inside the Sauna Room can be monitored with a sauna thermometer and hygrometer, respectively.
- The effect of temperature and moisture on an individual varies, thus it is difficult to recommend the ideal bathing temperature. Therefore, a bather can enjoy the sauna according to his preferred temperature.
- Ventilation inside the Sauna is important to keep the air fresh and easy to breathe in.

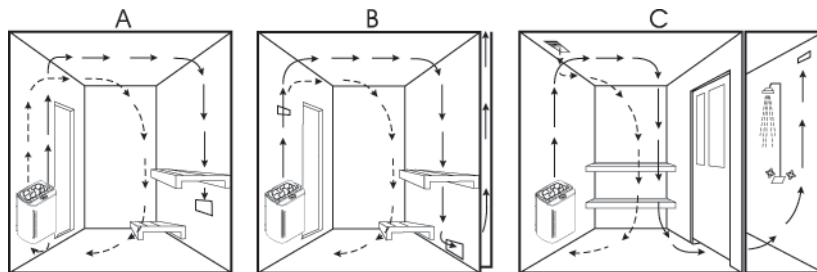
### 8.3. Drying the Sauna Room After Use

- Always dry the Sauna after every use.
- Open the ventilation louver on the ceiling and turn on the heater for a quick drying of the Sauna.
- Make sure to turn off the heater once the Sauna Room is dried.

### 8.4. Ventilation of the Sauna Room

- Sufficient ventilation is extremely important to maintain fresh air inside the Sauna Room.
- In an hour, the air inside the Sauna Room should change completely five times.
- If possible, fresh air should flow directly from outside.
- The stale Sauna Room air should escape through a ventilation louver in the ceiling located as far as possible from where the heater is placed.
- Figure 12 shows a typical Sauna Room ventilation example.

Fig. 12 Sauna Room Ventilation



### 8.5. Hygiene Inside the Sauna Room

There are basic hygiene practices that should be observed when taking a Sauna:

- Always use a towel to sit or lie on inside the Sauna to prevent the sweat from dripping directly on the bench.
- Used towels should be washed after bathing.
- Once the Sauna Room is dried, sweep or vacuum the floor and wipe off dirt with a damp cloth.
- The Sauna Room should be subjected to a general cleaning every six months. This would include scrubbing the walls, benches and floor with a brush and a suitable cleaning agent.
- Wipe off dust and dirt from the Combi Heater with a damp cloth.

### 8.6. Parts and Insulation of the Sauna Room

To minimize power consumption of the heater, massive wall surfaces such as bricks or glass blocks should be properly insulated.

- A well-insulated Sauna Room should have 12 to 15mm thick walls and ceiling panels.
- To protect the Sauna Room from ingress of moisture, aluminum paper should be fitted within the panels with its glossy surface facing the inside of the Sauna Room.
- There should be a 10mm gap between the moisture protection and panel boards to serve as ventilation gap.
- An insulating wool (50 to 100mm) should be used within the panels.

NOTE:

Heat protection material such as a mineral board, which is directly attached to the wall or ceiling of the Sauna Room can raise the temperature of the wall and ceiling materials to a dangerous level.

- Consult local building safety authorities to determine which part of the fireproof wall may be insulated.
- To avoid damaging the flooring (where the heater is placed) with stone crumbles (small hot pieces of stones), use dark joint grouts and stone-based floor materials.
- Do not use a light grout or a plastic floor covering.
- Due to wall surface processing with protective panel agents, wall blackening can occur and might occur faster than expected because of the sunlight and heat from the heater.
- The maximum allowable temperature for wall and ceiling surfaces in the Sauna is 140 degrees Centigrade.

### 8.7. Combi Heater Output

- The output of the Combi Heater is determined by the volume and elements of the Sauna Room such as glass windows and concrete or tile surfaces.
- Each square meter of these elements increases the volume of the heated Sauna Room by 1.2 cubic meter.
- It is important to have sufficient insulation within the wall and ceiling panels to prevent wastage of heater power.
- Log Sauna Room's volume shall be multiplied by 1.5 since walls made of logs heat up slowly.

## 9. Health Benefit of the Sauna

- Revitalizes body and mind
- Supports in weight loss programs
- Relieves stress and tension
- Improves blood circulation
- Reduces joint pains
- Deep cleanses the skin
- Flushes out impurities and toxins from the body
- Allows easy removal of dead skin
- Alleviates nasal, sinus and chest congestion
- Revives tired and strained muscles after physical exercises
- Kills germs and bacteria
- Guarantees faster recovery from illness
- Results to a deeper, more relaxing sleep
- Makes skin soft and supple, giving it a healthy glow

## Contents

1. Introduction of the Combi Heater	2
2. Assembly and Installation Instructions	2
2.1 Assembly	2
2.1.1 Ball Valve	2
2.1.2 Steamer Cover	3
2.1.3 Scent Basin	4
2.2 Installation	4
2.2.1 Mounting the Combi Heater	4
2.2.2 Electrical Wiring and Installation	5
2.2.3 Installation of External Control Unit and Sensors	5
2.2.4 Sensor Location	5
2.2.5 Installation of Combi Heater Safety Guard	6
2.2.6 The Effect of Moisture During Transport and Storage	6
3. Operating Instructions	6
3.1 How to Load the Stones	6
3.2 Using the Combi Heater	7
3.3 Producing the Steam	7
3.3.1 Kind of Water to Use	8
3.4 Using the Steamer	8
3.4.1 Filling the Water Compartment	8
3.4.2 Low Water Level	8
3.5 Draining and Cleaning the Water Tank	8
3.6 Using Scents	9
4. Precautions	9
5. Troubleshooting	10
6. Technical Data	10
7. Spare Parts	11
8. The Sauna Room	12
8.1 How to Use the Sauna	12
8.2 Temperature of the Sauna Room	12
8.3 Drying the Sauna Room After Use	12
8.4 Ventilation of the Sauna Room	12
8.5 Hygiene Inside the Sauna Room	13
8.6 Parts and Insulation of the Sauna Room	13
8.7 Combi Heater Output	13
9. Health Benefits of the Sauna	14